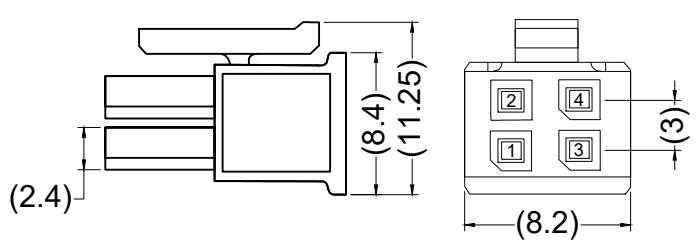


PART NO.	MODEL NO.	DESCRIPTION
7590	VBV-360-1000-IR	BACKEYE@360 IR RECEIVER
S7590	VBV-360-1000-IR	BACKEYE@360 IR RECEIVER

Revision Notes:				
ADDED SPARE PARTS MATRIX				
APA: W.XIA	Drawn: R.TIMMS	Checked: A.KING	Approved: JN.BATOUR	Date: 15.10.24

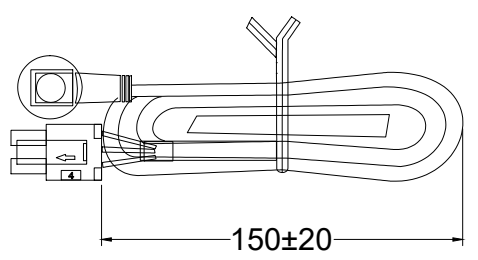
**VIEW A**



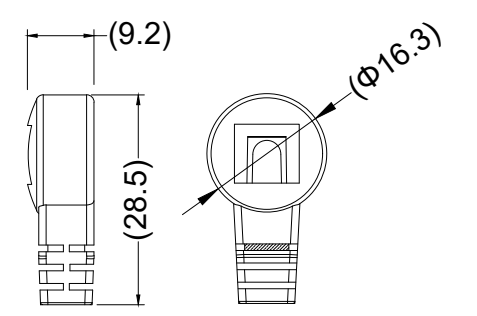
4P MALE MATING FACE  
5557 2\*2P3.0

PIN #	DESCRIPTION	WIRE COLOUR
1	/	/
2	GND	BLACK
3	IR SIGNAL	WHITE
4	3V3	RED

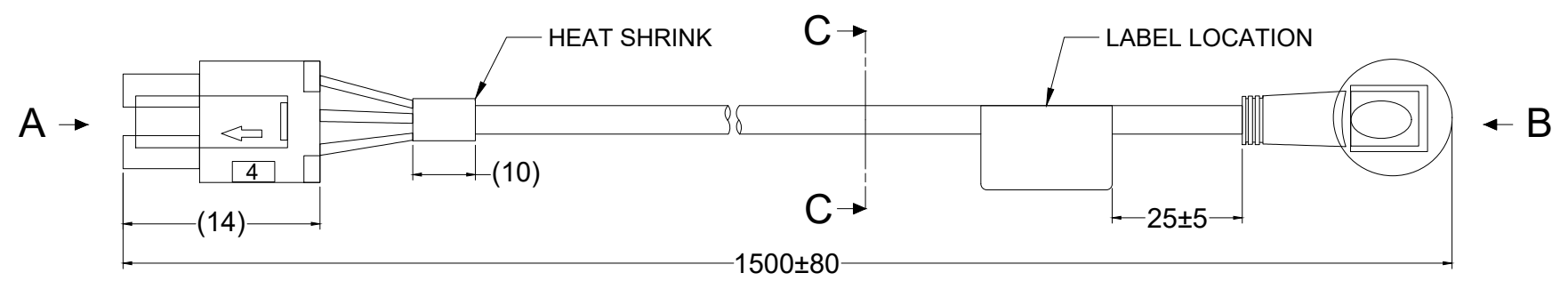
PACKING  
COILED AND SECURED  
WITH CABLE TIES



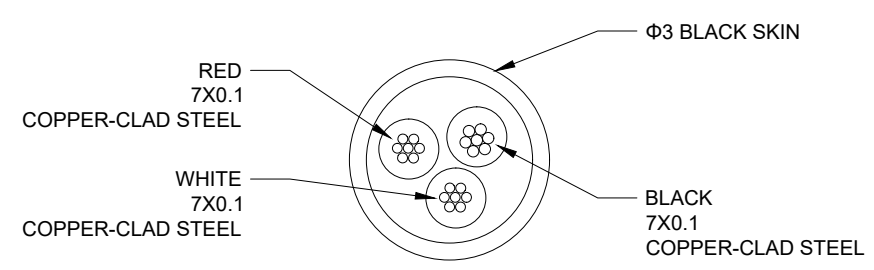
**VIEW B**



IR RECEIVER



**VIEW C-C**



- NOTES:**
- FOR LABEL AND PACKAGING DETAILS REFER TO MASTER BOM.
  - CABLE IS THE INFRARED RECEIVER FOR ECU MODEL NUMBER VBV-360-1000-ECU-AI (7525)
  - ANY CUSTOMER MODIFICATION OF THIS PRODUCT CAUSING SUBSEQUENT FAILURE IS NOT A LIABILITY OF BRIGADE ELECTRONICS GROUP PLC.

**PROPRIETARY NOTICE**  
THIS DESIGN AND TECHNICAL INFORMATION APPEARING ON THIS DRAWING IS THE PROPERTY OF BRIGADE ELECTRONICS, AND IS DISCLOSED IN CONFIDENCE. IT IS NOT TO BE COPIED, REPRODUCED, REVEALED TO OR EXPROPRIATED BY OTHERS, EITHER IN WHOLE OR IN PART WITHOUT THE EXPRESS WRITTEN CONSENT OF BRIGADE ELECTRONICS.



Assembly Pl Approval W.XIA	Approved by JN.BATOUR	Checked by D. FOALE	Drawn by A.KING
Angle of Projection	Units mm	Scale N/A	Released 15/08/2024
Third Angle	Status RELEASED	VBV-360-1000-IR	
	Part No VARIOUS	BE-004869-01-23	